



TOPS on Bloor Entrance Exam Sample Mathematics Questions

1. Evaluate: $\frac{3}{3 \times -6} \div \frac{-6+3}{3 \times 3}$

- a. $\frac{1}{18}$ b. $\frac{1}{2}$ c. $-\frac{1}{3}$ d. $-\frac{1}{2}$ e. 2

2. Which of the following is equivalent to 3×4^0 ?

- a. 12 b. 0 c. 3 d. 4 e. 7

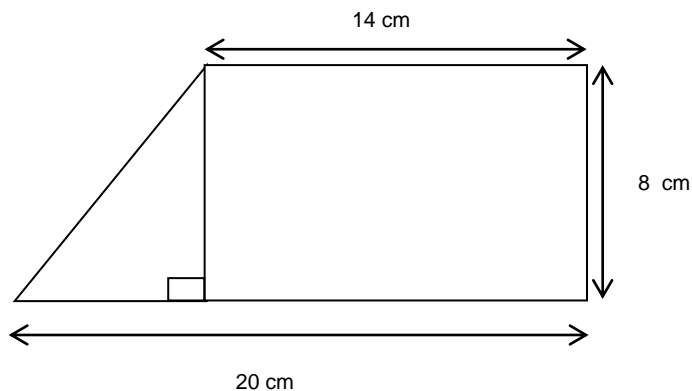
3. Scientists have found that you can roughly determine the temperature in degrees Fahrenheit by counting the number of chirps of crickets in one minute, dividing by 4 and adding 37. If you count 120 chirps in one minute, what is the temperature in degrees Fahrenheit?

- a. 83°F b. 79°F c. 73°F d. 67°F e. 21°F

4. A woman has \$500 in her bank. She begins depositing \$50 to her account each week. Which formula shows the amount of money, M , in dollars in her bank account after w weeks?

- a. $M = 500 + 50w$ d. $M = 500w - 50$
b. $M = 500w + 50$ e. None of the formula describe the
c. $M = 500 - 50w$ amount she would have after w weeks.

5. Find the perimeter of the figure below.



- a. 42 cm b. 50 cm c. 52 cm d. 56 cm e. 60 cm